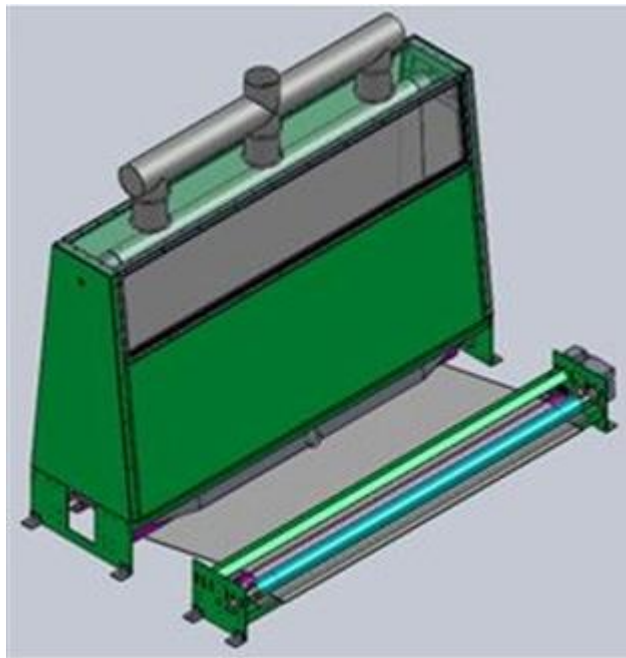


WI2 Online Impregnation and Oven

WI2 online Impregnation and Oven is located before weaving machine or warp knitting machine, online dipping fabrics directly after weaving and drying in order to achieve good performance for winding or improve fabric stability. WI2 online Impregnation and Oven, using world advanced technology, is manufactured by subsidiary company of Beijing ORIT ---- Changzhou ORIT_RS Co. LTD. It takes use of advanced AC-servo motor system, whole machine was well controlled.



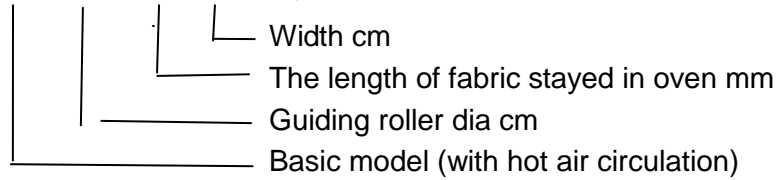
WI2 Online Impregnation and Oven

Important characteristics of WI2 online Impregnation and Oven:

1. Automatically synchronous to weaving machine or other host machine;
2. Glue absorbed adjustable;
3. Automatically control oven temperature by thermocouples;
4. Width of hot air inlet is adjustable in order to save energy;
5. Hot air circulation inside oven;
6. Different types of heating system possible;

7. Series of width design to fit different weaving machine or warp knitting machine, or other host machine;

8. Type: W12 – 12/ 3000/ 260



Important functions of W12 online Impregnation and Oven:

- Automatically synchronous to weaving machine, or host machine;
- Easy operation, easy maintenance;
- Even glue absorbed;